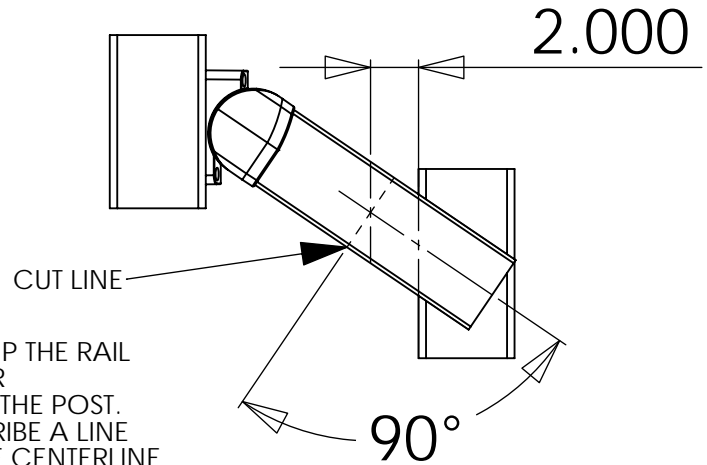
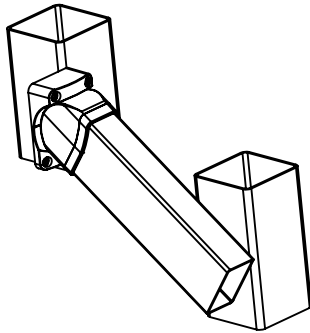
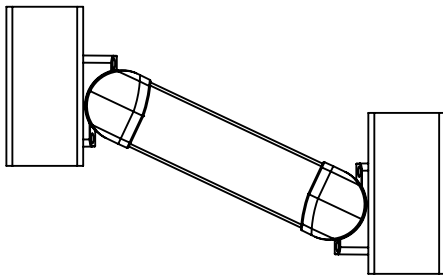


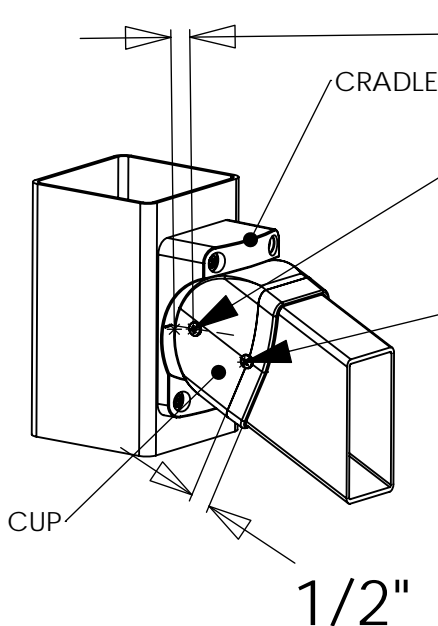
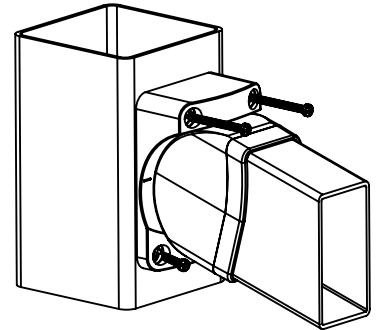
ADJUSTABLE STAIR BRACKET INSTALLATION INSTRUCTIONS



1) INSTALL ONE END OF THE RAIL INTO THE UPPER BRACKET. LINE UP THE RAIL ALONGSIDE OF THE POSTS AT THE PROPER STAIR ANGLE FOR YOUR APPLICATION. SCRIBE A LINE ON THE RAIL TO SHOW THE EDGE OF THE POST. THEN SCRIBE A LINE DOWN THE CENTERLINE OF THE RAIL. NEXT SCRIBE A LINE 2.000 AWAY FROM THE POST EDGE LINE. WHERE THIS LINE AND THE CENTERLINE OF THE RAIL INTERSECT, SCRIBE A LINE AT A 90 DEGREE ANGLE FROM THE STAIR ANGLE. THIS WILL BE THE CUT LINE FOR THE RAIL LENGTH.



2) SLIDE THE ENTIRE RAIL ASSEMBLY BETWEEN THE POSTS AND ATTACH THE BRACKETS TO THE POSTS USING THE SUPPLIED SCREWS



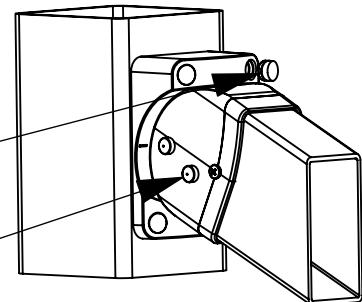
3) INSTALL A SUPPLIED SIDE SCREW INTO THE CUP APPROX. 1/2" AWAY FROM THE CRADLE AT THE MARK PROVIDED ON THE CRADLE. THIS WILL SECURE THE ADJUSTABLE CUP TO THE CRADLE.

4) INSTALL ANOTHER SUPPLIED SIDE SCREW IN THE CUP APPROX. 1/2" AWAY FROM THE EDGE OF THE BRACKET TO ATTACH THE RAIL TO THE ADJUSTABLE CUP.

5) REPEAT STEPS 3 AND 4 ON THE OPPOSITE SIDE OF THE BRACKETS.

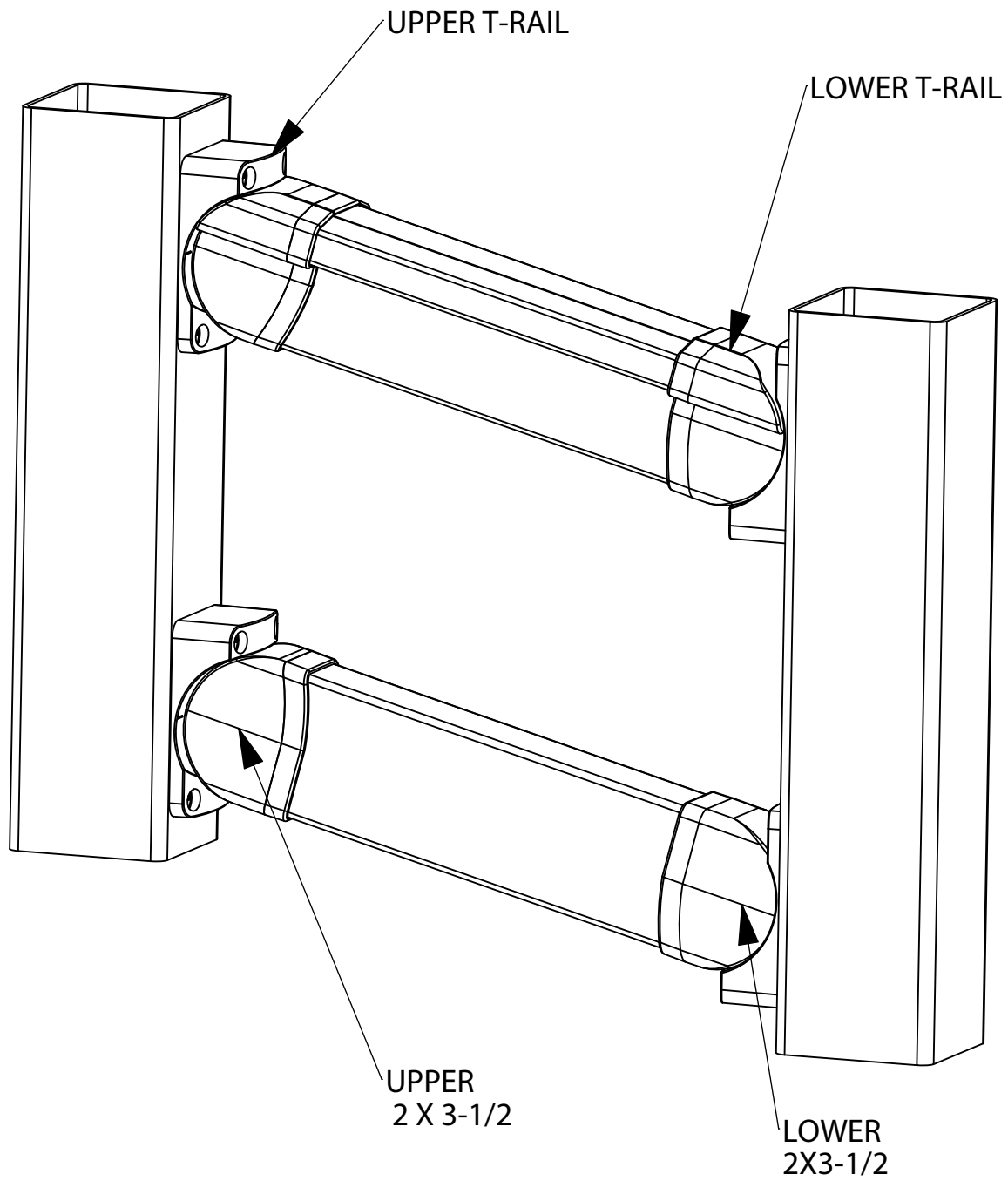
6) INSTALL THE (4) SUPPLIED HOLE PLUGS INTO THE BRACKET TO HIDE THE MOUNTING SCREWS.

7) INSTALL THE (4) SUPPLIED SNAP CAPS OVER THE SIDE SCREWS TO COVER THE HEADS OF THE SCREWS.



8) REPEAT THIS PROCEDURE TO INSTALL THE TOP RAIL. THE INSTRUCTIONS ARE IDENTICAL FOR EITHER A 2 X 3-1/2 OR A T-RAIL INSTALLATION.

ADJUSTABLE STAIR BRACKET INSTALLATION INSTRUCTIONS



PROPER BRACKET ORIENTATION

Your Fence Store
Toll Free 1-866-563-3623
www.YourFenceStore.com