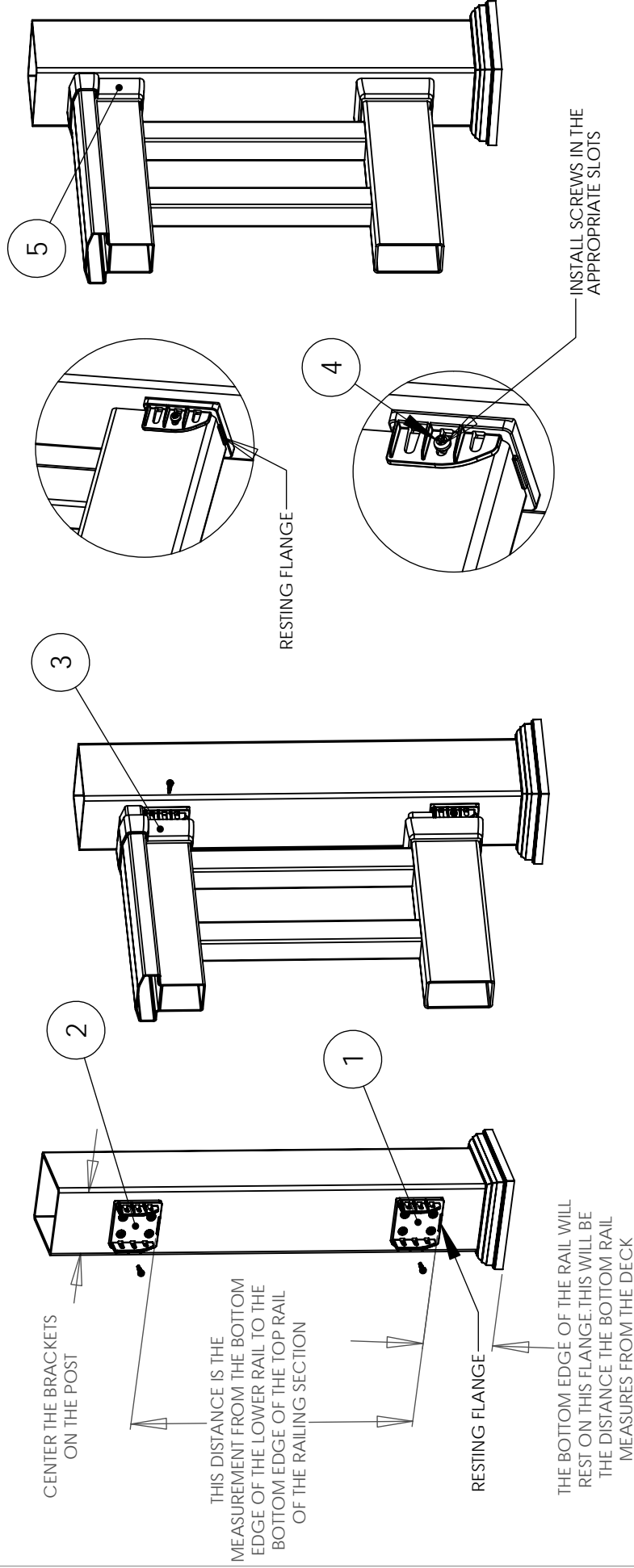


# STRAIGHT BRACKET INSTALLATION INSTRUCTIONS



1 - USING FOUR OF THE SUPPLIED SCREWS, INSTALL THE LOWER MOUNTING PLATE ON TO THE POST. THE MOUNTING PLATES SHOULD BE CENTERED ON THE POST WITH THE RESTING FLANGE AT THE REQUIRED DISTANCE FROM THE DECK.

2 - REPEAT THIS PROCEDURE ON THE UPPER MOUNTING PLATE. KEEP THE DISTANCE BETWEEN THE LOWER RESTING FLANGE TO THE UPPER RESTING FLANGE THE SAME AS THE DISTANCE BETWEEN THE BOTTOM RAIL LOWER EDGE TO THE TOP RAIL LOWER EDGE. REPEAT STEPS 1 AND 2 ON THE OPPOSING POST.

3 - SLIDE THE BRACKET COVERS ONTO THE RAILING SECTION. INSTALL THE ENTIRE RAILING SECTION INTO THE MOUNTING PLATES, MAKING SURE THE RAILS SIT ON THE RESTING FLANGES.  
NOTE: THE RAILING SECTION SHOULD BE CUT 3/8" SMALLER THAN THE DISTANCE BETWEEN THE POSTS.

4 - INSTALL TWO OF THE THE SUPPLIED SIDE SCREWS INTO EACH MOUNTING PLATE (ONE ON EACH SIDE) CHOOSING THE BEST SLOT LOCATION TO MAKE SURE THE SCREWS ENGAGE INTO THE STIFFENER IN THE RAIL. THE MOUNTING PLATES ARE SLOTTED TO ALLOW FOR THERMAL EXPANSION AND CONTRACTION.

5 - SLIDE THE COVERS TOWARDS THE POST UNTIL THEY SNAP ONTO THE MOUNTING PLATES. YOU WILL HEAR AN AUDIBLE "CLICK".