

FOOT BLOCK KIT INSTALLATION INSTRUCTIONS

Figure 1

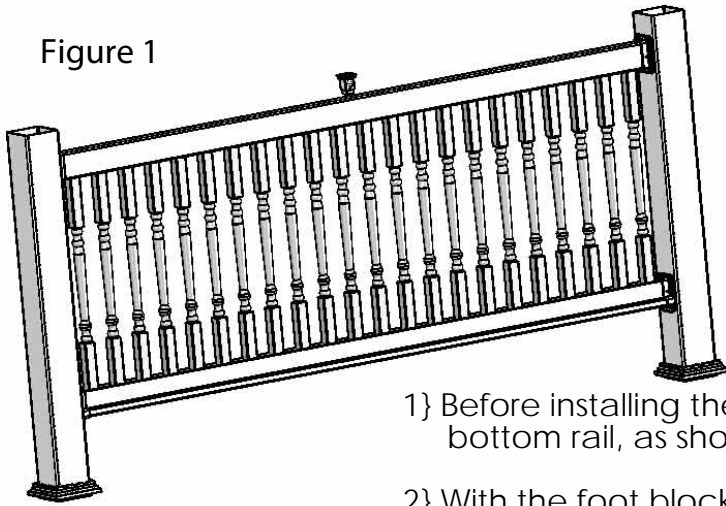
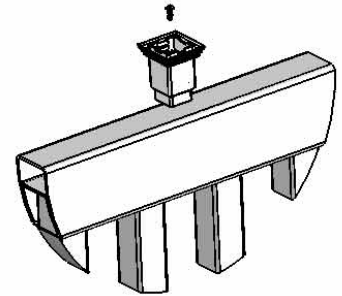


Figure 2



1) Before installing the railing section, center the foot block on the bottom rail, as shown in Fig. 1.

2) With the foot block in its collapsed state, mount it to the bottom rail using the supplied screw, as shown in Fig. 2.

Figure 3

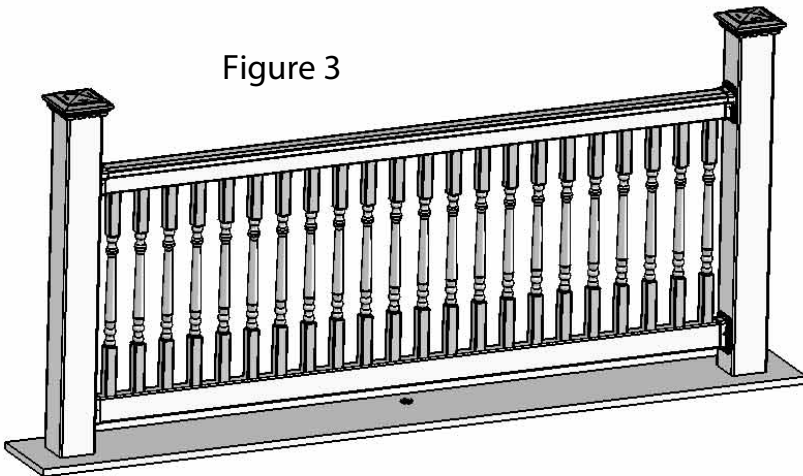
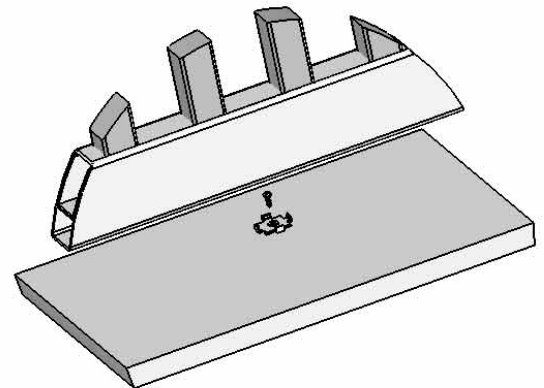


Figure 4

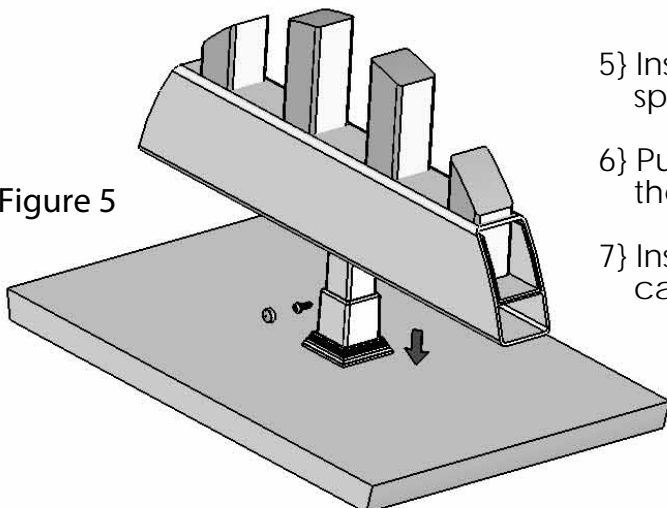


Note: Steps 3 and 4 are only required for Foot Block P/N 1255.

3) Center the mounting plate on the decking surface so that it will be in line with the foot block installed on the bottom rail, as shown in Fig. 3.

4) Screw the mounting plate to the deck using the supplied screw, as shown in Fig. 4.

Figure 5



5) Install the railing section as per the manufacturer's specifications.

6) Pull down on the foot block until it sits flush with the decking surface, as shown in Fig. 5.

7) Install the supplied retaining screw and snap cap into the side of the foot block, as shown in Fig. 5

Sold by:

Your Fence Store
Toll Free 1-866-563-3623
www.YourFenceStore.com