

Madison Rain Catcher Installation

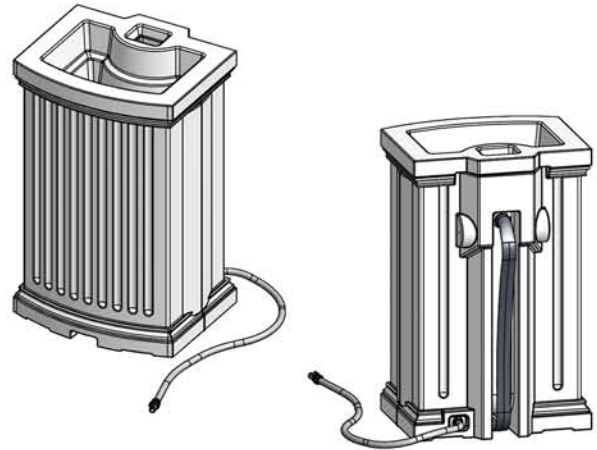
MIS011

General Information:

- Read instructions carefully before beginning assembly.
- To clean the product, for best results use a soap solution and high-pressure water.
- Downspout connectors are not included and can be purchased from your local hardware store.
- **In the event of missing or defective parts, please contact our customer service department at info@gomayne.com or toll free at 866-363-8834 (Monday through Friday, 8am-5pm EST).**

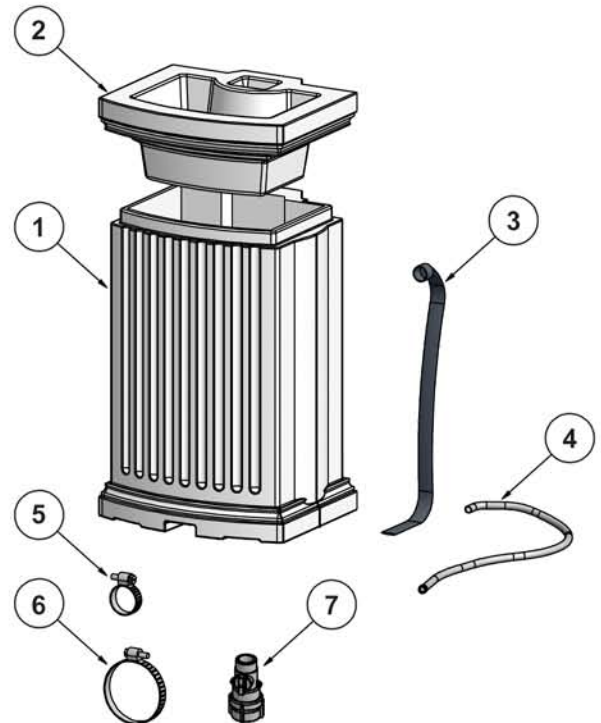
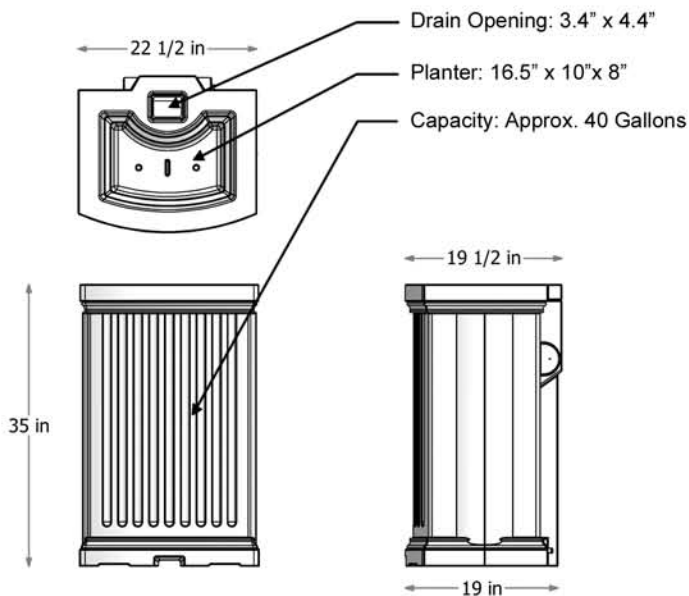
Materials List:

Part #	Description	Quantity
1	Decorative Barrel	1
2	Planter Top	1
3	Overflow Hose	1
4	Garden Hose	1
5	Small Hose Clamp	1
6	Large Hose Clamp	1
7	Shut-off Valve	1



Tools Required:

- Slot screw driver



IMPORTANT NOTES:

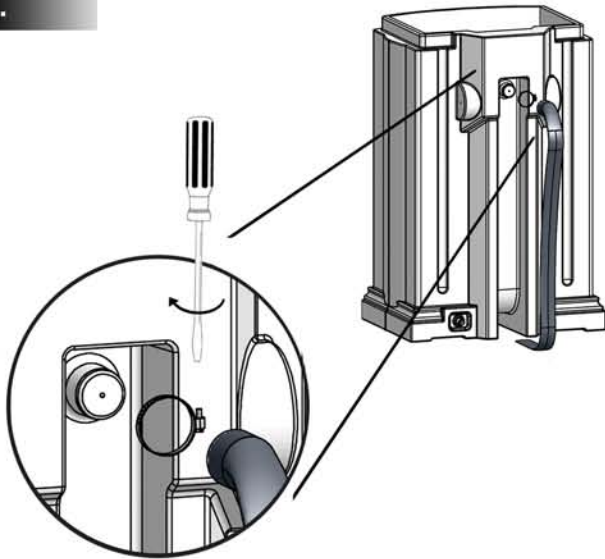
- When setting up your rain catcher be sure to direct the overflow hose away from the foundation of the house.
- To prevent tipping always leave some water in the barrel.

MAYNE[®]
Outdoor Products of Distinction
www.gomayne.com

Madison Rain Catcher Installation

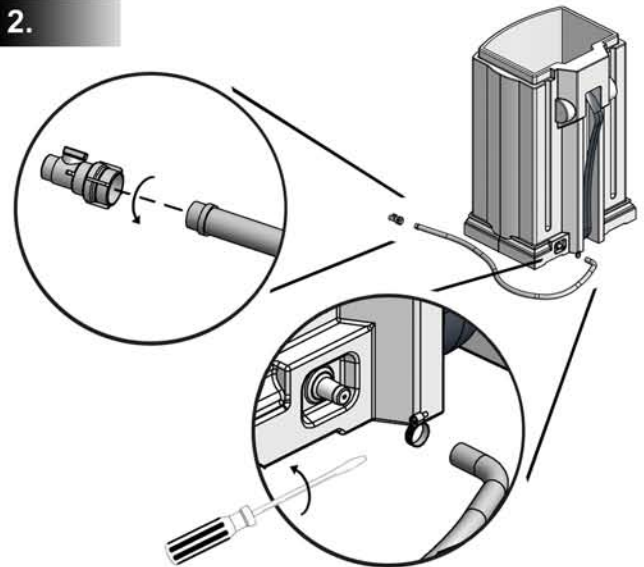
MIS011

1.



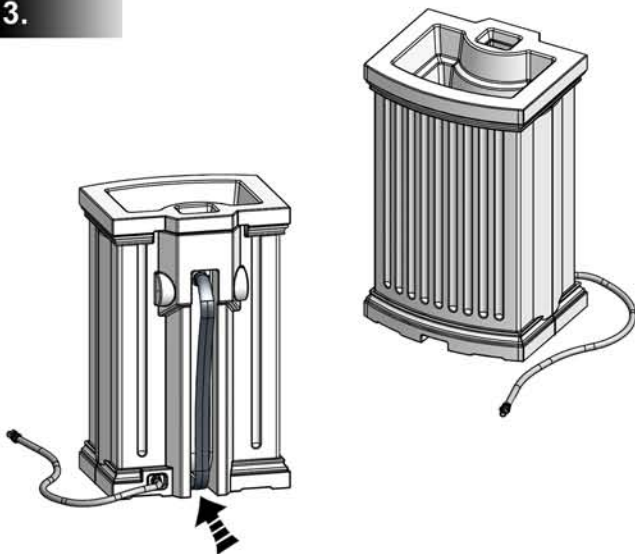
Attach the overflow hose (part 3) to the rain barrel overflow connector using the large clamp (part 6) to secure the hose in place. Tighten clamp with a slotted screw driver.

2.



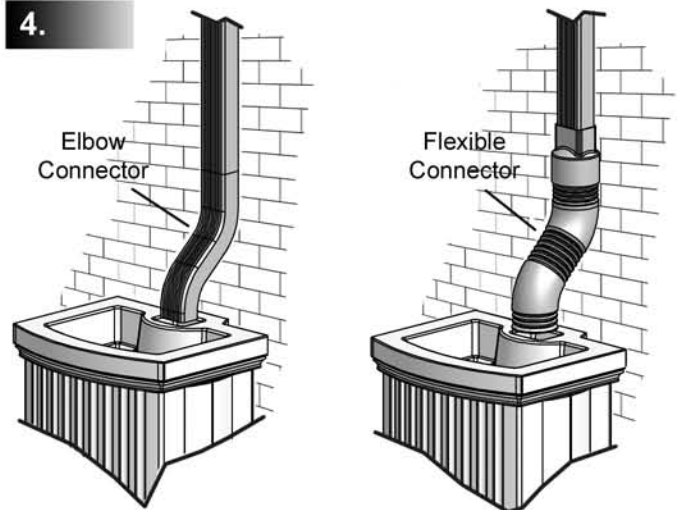
Attach the shut-off valve (part 7) to the threaded end of the garden hose (part 4). Next, attach the garden hose (part 4) to the rain barrel drain connector using the small clamp (part 5) to secure the hose in place. Tighten clamp with a slotted screw driver.

3.



When placing your barrel under the downspout ensure the ground is level. You may wish to use wood or a patio stone to create a flat surface. Be sure to insert the overflow hose into the center channel as indicated by the arrow. This will help direct overflow water away from the house foundation.

4.



Using an elbow connector or flexible connector direct the downspout into the opening of the rain catcher. Downspout connectors are not included but can be purchased at your local hardware store.

For questions or concerns please contact our customer service department at info@gomayne.com or toll free at 866-363-8834.

MAYNE[®]
Outdoor Products of Distinction
www.gomayne.com