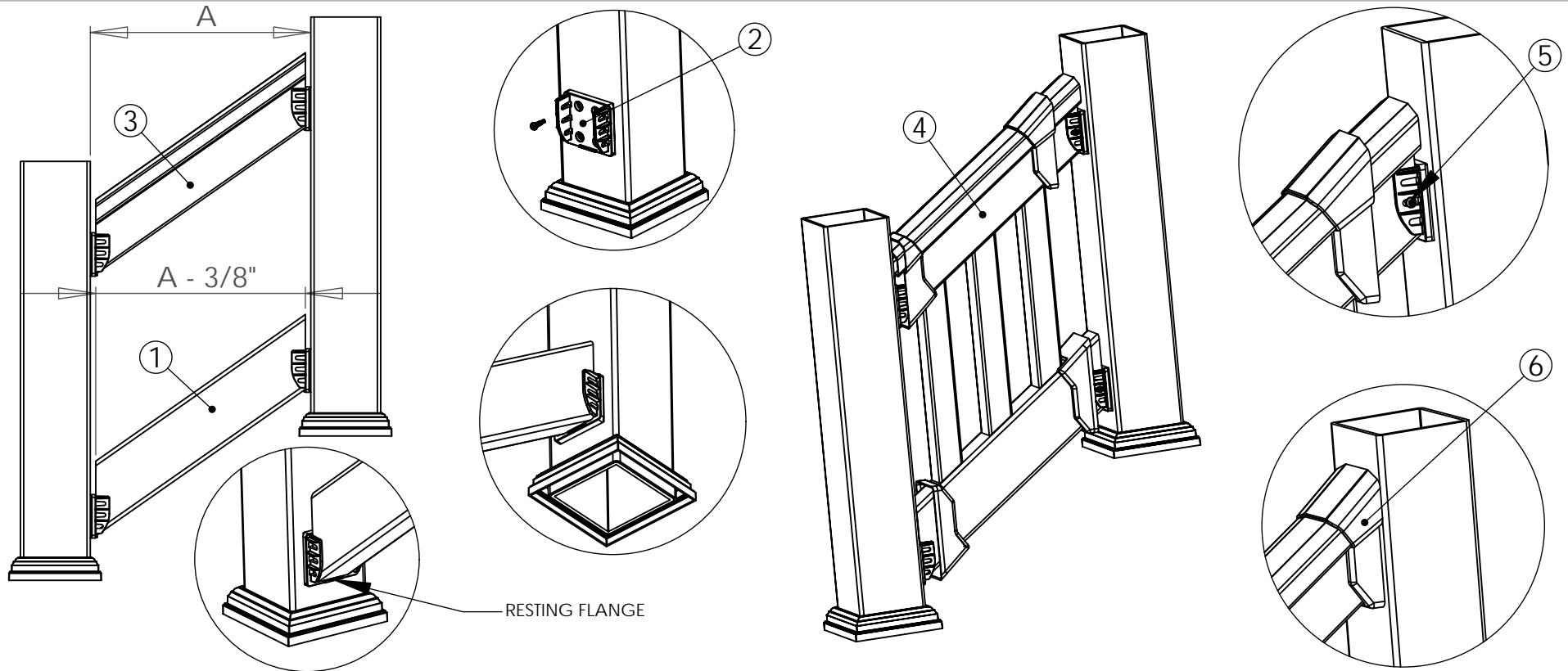


STAIR BRACKET INSTALLATION INSTRUCTIONS

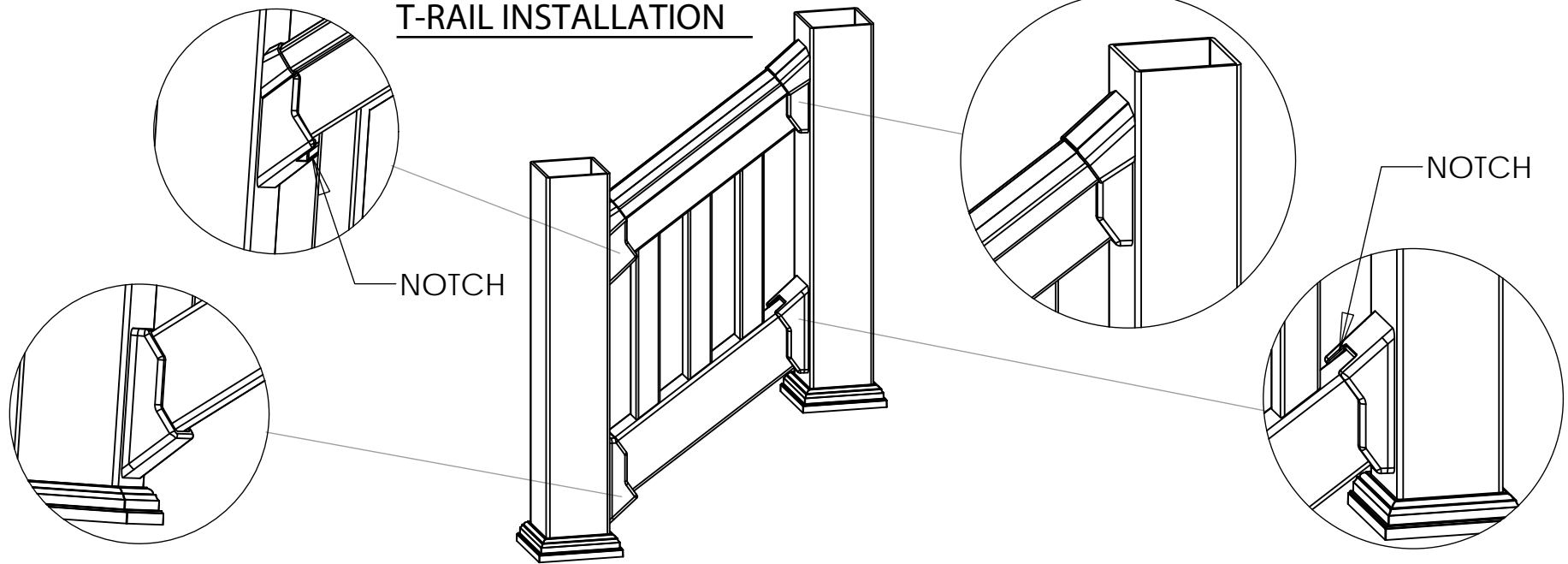


- 1 - CUT THE BOTTOM RAIL TO THE DESIRED LENGTH AND ANGLE TO MATCH THE STAIR ANGLE AND THE DISTANCE BETWEEN THE STAIR POSTS MINUS 3/8". PLACE A MOUNTING PLATE ON EACH END OF THE RAIL, MAKING SURE THE BOTTOM OF THE RAIL SITS ON THE RESTING FLANGES. TEMPORARILY PLACE INTO POSITION AT THE DESIRED DISTANCE ABOVE THE TREAD RISERS. MARK THE LOCATIONS OF THE BOTTOM OF EACH MOUNTING BRACKET, THEN REMOVE THE RAIL.
- 2 - USING FOUR OF THE SUPPLIED SCREWS, INSTALL THE LOWER MOUNTING PLATES BY CENTERING THEM ON THE POSTS WHILE ALIGNING THEM WITH THE LOCATION MARKS CREATED IN STEP ONE.
- 3 - REPEAT STEP 1 AND 2 ON THE UPPER RAIL. THE DISTANCE THE TOP MOUNTING PLATES WILL BE ABOVE THE BOTTOM MOUNTING PLATES WILL BE THE SAME DISTANCE THAT THE BOTTOM OF THE BOTTOM RAIL IS TO THE BOTTOM OF THE TOP RAIL ON THE RAILING SECTION TO BE INSTALLED.
- 4 - SLIDE THE BRACKET COVERS ONTO THE RAILING SECTION AS FAR BACK AS POSSIBLE. INSTALL THE ENTIRE RAILING SECTION INTO THE MOUNTING PLATES, MAKING SURE THE RAILS SIT ON THE RESTING FLANGES.
- 5 - INSTALL TWO OF THE SUPPLIED SIDE SCREWS INTO EACH MOUNTING PLATE (ONE ON EACH SIDE) CHOOSING THE BEST SLOT LOCATION TO MAKE SURE THE SCREWS ENGAGE INTO THE STIFFENER IN THE RAIL. THE MOUNTING PLATES ARE SLOTTED TO ALLOW FOR THERMAL EXPANSION AND CONTRACTION.
- 6 - SLIDE THE COVERS TOWARDS THE POST UNTIL THEY SNAP ONTO THE MOUNTING PLATES. YOU WILL HEAR AN AUDIBLE "CLICK".

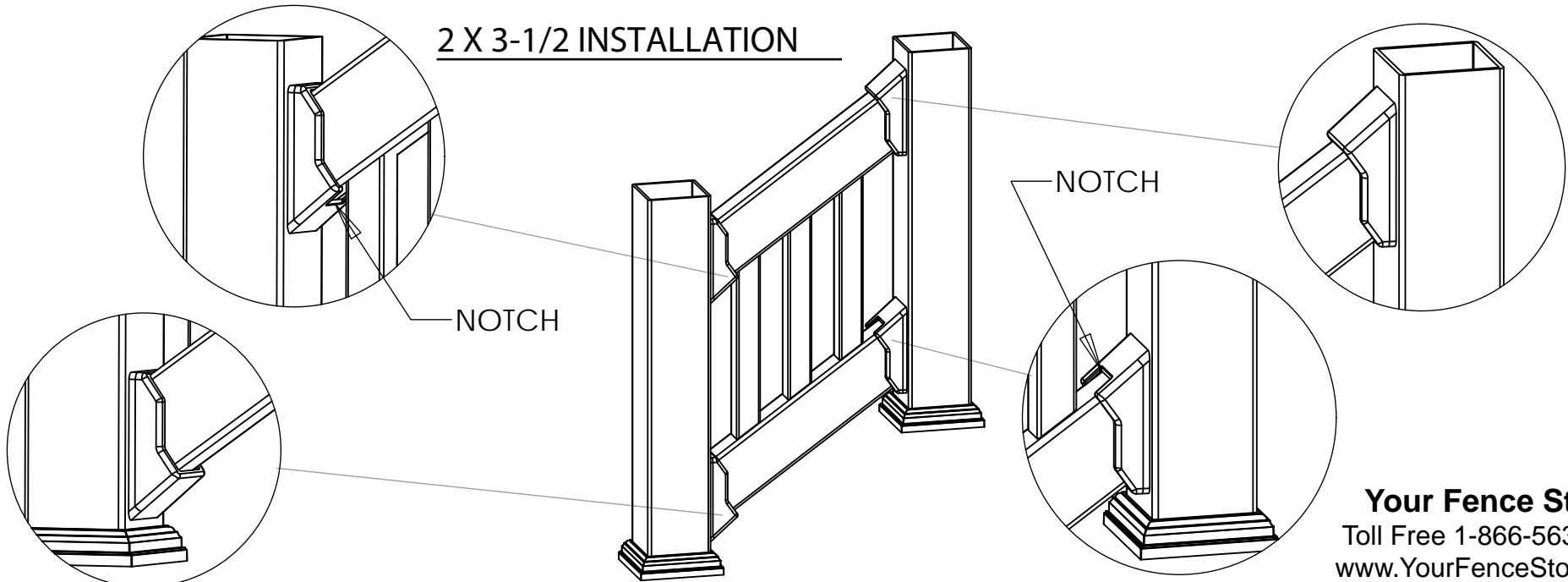
Your Fence Store
 Toll Free 1-866-563-3623
www.YourFenceStore.com

STAIR BRACKET INSTALLATION OPTIONS

T-RAIL INSTALLATION



2 X 3-1/2 INSTALLATION



Your Fence Store
Toll Free 1-866-563-3623
www.YourFenceStore.com