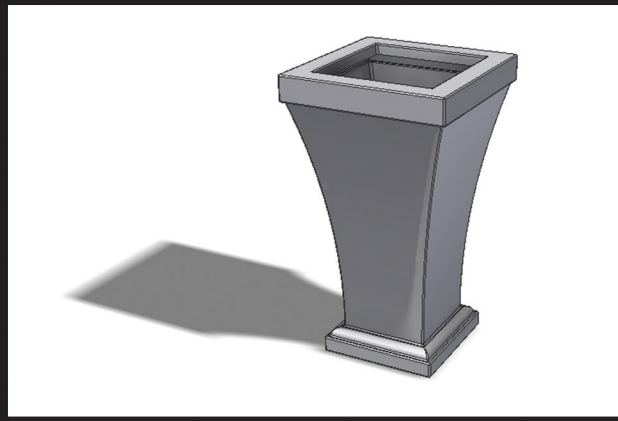


Bordeaux Tall 28in Residential Planter *Model 5864*

MIS071



PACKAGE CONTENTS: 1x Bordeaux Tall Planter, Removable Tray

MATERIAL: Polyethylene

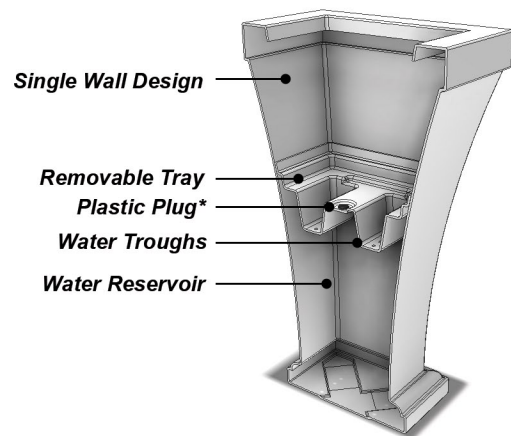
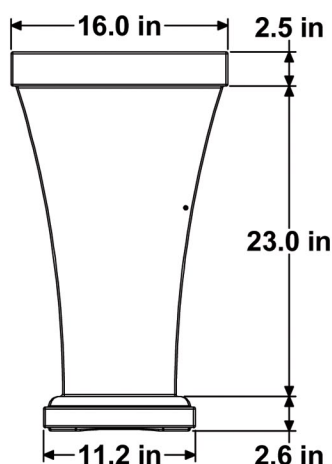
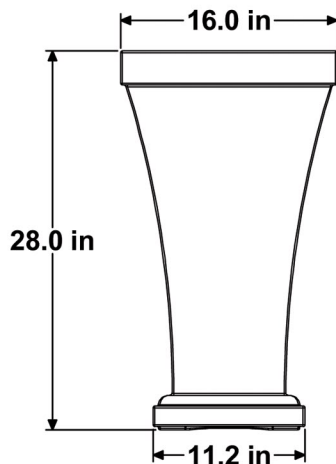
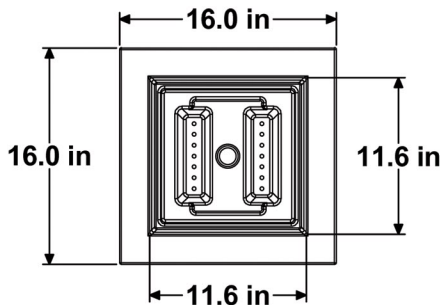
IMPORTANT NOTE:

- Drainage holes are not included and can be drilled in the desired location depending on the intended use of the planter. See instructions on the reverse side for more details.
- Mayne planters are very durable but we still recommend light-weight fillers and potting mixes for optimal plant growth.

In the event of missing or defective parts, please email customerservice@gomayne.com or call our customer service department toll free at 866-363-8834 (available Monday through Friday, 8am-5pm EST).

General Information:

- Read instructions carefully before beginning assembly.
- To clean the product: For best results use a soap solution and high-pressure water.
- On the reverse side of this instruction sheet there are a few potting recommendations, but please consult your local garden centre or landscape horticulturist for more detailed information.
- All-weather planters molded with high quality polyethylene and designed for year-round use
- 15-year warranty for residential use



Soil Capacity: 6.5 gallons
Water Reservoir Capacity: 5 gallons

* The plastic plug is placed in the center of the tray to seal a vent hole from the manufacturing process. There is no need to remove this plug.

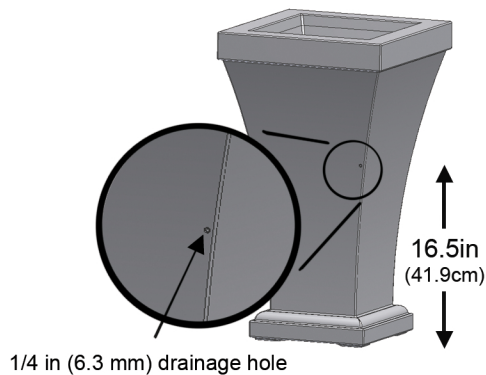
MAYNE[®]
Outdoor Products of Distinction
www.gomayne.com

Drainage Holes:

Depending on the intended use of the planter, drainage holes need to be drilled in different locations.

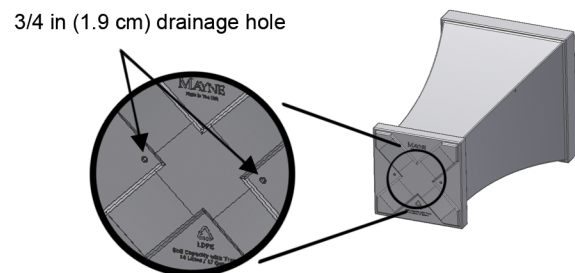
Option #1:

To utilize the water reservoir feature, drill a 1/4 inch diameter hole 16.5 inches up from the bottom of the planter. A divot marks the location as shown below. The overflow helps maintain ideal water levels and avoid oversaturation of the soil.



Option #2:

To use the planter as a regular container planter simply drill one or two holes in the bottom of the planter to allow for drainage. This option is also recommended for home owners who prefer to simply place a potted plant or hanging basket in the Bordeaux Tall Planter.



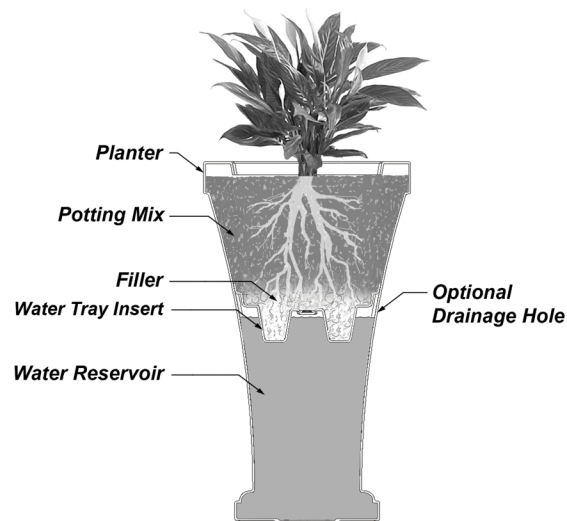
General Recommendations:

To maximize the efficiency of the sub-irrigation system and encourage healthy plant growth we recommend the following:

- 1) Fill the reservoir with water allowing the overflow to pour out the drainage hole.
- 2) Add a layer of lightweight filler to the bottom of the planter. Some suggestions for lightweight fillers include lava rock, mulch, wood chips, or foam packing peanuts (don't use foam packing peanuts if you are growing edible plants).
- 3) Top up the planter with a potting mix (not garden soil) containing peat moss, perlite or vermiculite.

Sub-Irrigation System

The Bordeaux planter includes a water trough insert creating a reservoir at the bottom of the planter. Capillary action allows water in the reservoir to soak upward, keeping the soil and plant roots moist. To avoid oversaturation a hole is located in the side of the planter to allow excess water to drain freely from the reservoir. Regular watering is required for the first few weeks giving the root system time to develop. Please note that due to the height of the planter, the root system on some plants may not fully reach the water trough so regular watering may be required for a longer period of time.



NOTE: The information above is only suggested and Mayne holds no liability for the condition or growth of your plants.

Bordeaux

Model # 5864

Bordeaux 28in Tall Planter



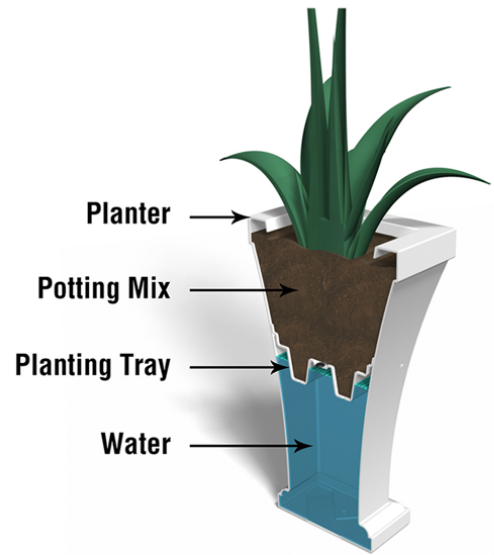
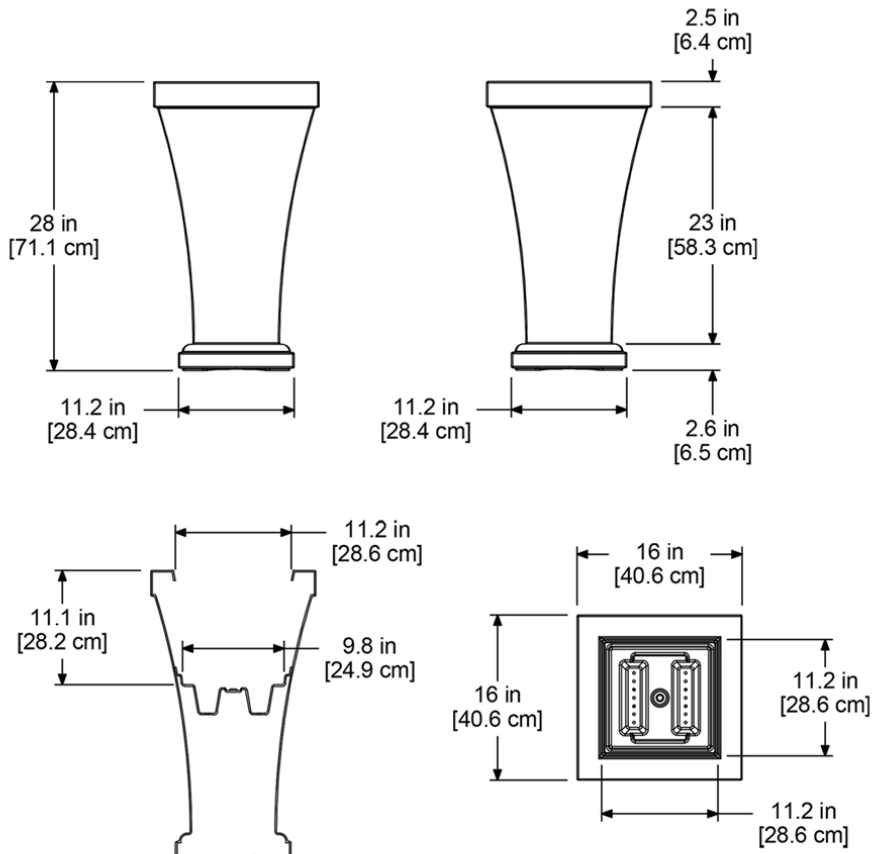
DESCRIPTION

Tall, modern and beautiful, the Bordeaux Tall Patio Planter by Mayne is a gorgeous addition to any patio or front entrance.

- Single wall molded design with removable tray
- Self watering tray insert creates sub-irrigation water system
- Weather resistant, low maintenance material
- 100% high-grade polyethylene planter with UV inhibitors
- Warranty: 15-Yr Residential Use / 5-Yr Commercial Use

PRODUCT DIMENSIONS

Outside Dimensions: 16in L x 16in W x 28in H (40.6cm x 40.6cm x 71.1cm)
Inside Dimensions: 11.2in L x 11.2in W x 11.1in D (28.6cm x 28.6cm x 28.2cm)
Soil Capacity: 6.5 Gallons (28 Liters)
Water Reservoir Capacity: 5 Gallons (25.3 Liters)
Wall Thickness: 0.15in (3.8mm)
Part Weight: 10lbs (4.5kg)
Material: Polyethylene



MAYNE[®]
CONTRACT

7024 Kilbourne Rd - Unit A London, ON N6P 1K6
Tel: 866-363-8834 | www.maynecontract.com
customerservice@gomayne.com