



PACKAGE CONTENTS: 1x Bordeaux Trough Planter

MATERIAL: Polyethylene

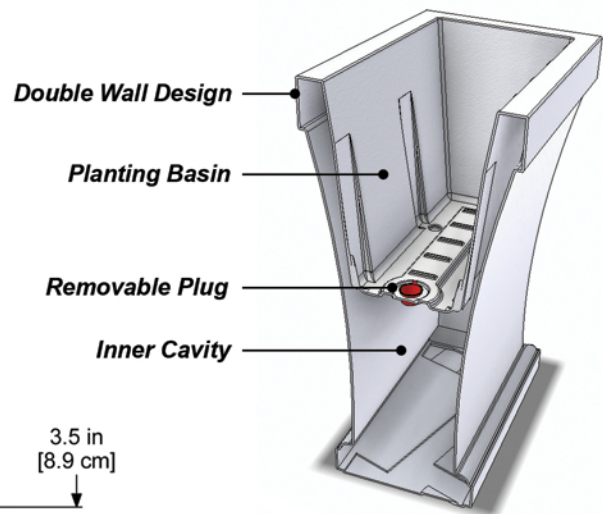
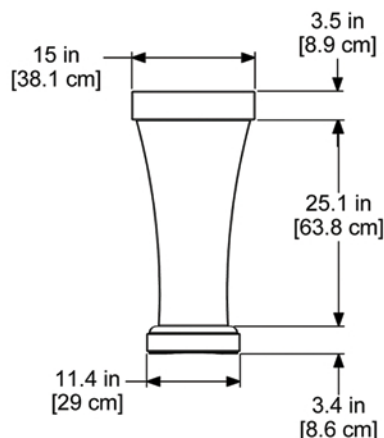
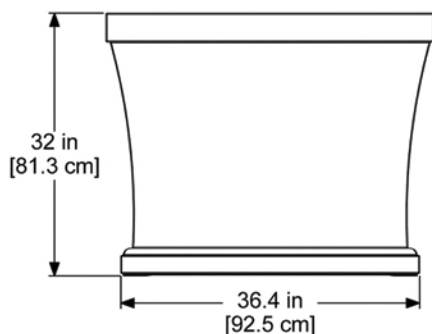
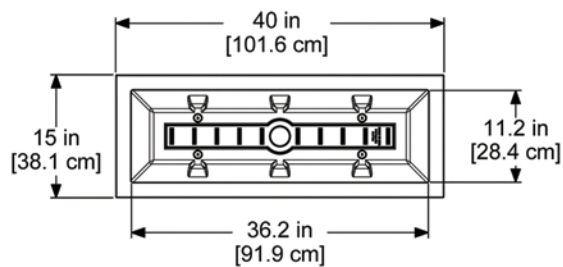
IMPORTANT NOTE:

- Drainage holes are not pre-drilled allowing the planters to be used indoors. For outdoor use drainage holes need to be drilled.
- MAYNE planters are very durable but we still recommend lightweight fillers and potting mixes for optimal plant growth.
- For added stability we recommend filling the bottom of the planter with stone or sand. See reverse for more details.

In the event of missing or defective parts, please email customerservice@gomayne.com or call our customer service department toll free at **866-363-8834** (available Monday through Friday, 8am-5pm EST).

General Information:

- Read instructions carefully before planting.
- For best results when cleaning, we recommend using a soap solution and high-pressure water.
- On the reverse side of this instruction sheet there are a few potting recommendations, but please consult your local garden centre or landscape horticulturist for more detailed information.
- All-weather planters molded with high quality polyethylene and designed for year-round use.
- 5-year commercial warranty.



Sectional View

Bordeaux Trough #8890
Soil Capacity: 17.5 Gallons

Potting Recommendations:

We strongly recommend the use of a good quality potting mix to encourage healthy root development and proper drainage.

Indoor Use:

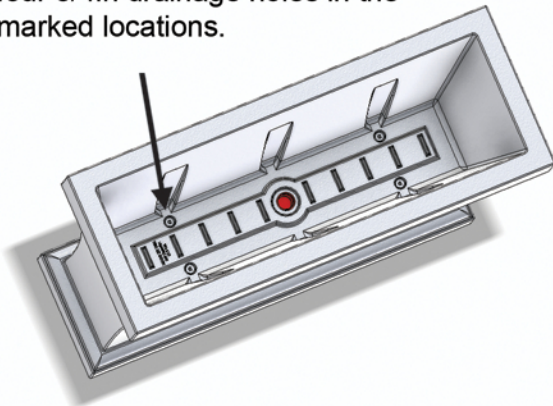
The Bordeaux planter does not come with any pre-drilled drainage holes to allow for indoor use.

Outdoor Use:

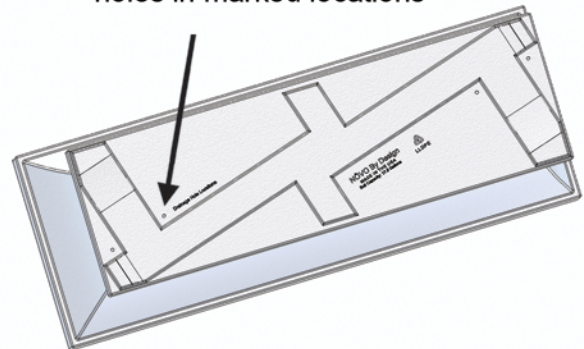
For outdoor use, drainage holes need to be drilled in the bottom of the planting area and the base of the planter to provide proper overflow of excess water (see diagrams below). Failing to drill drainage holes may cause oversaturation of the planted goods and in some cases may cause bowing or bulging of the planter walls.



On the inside of the planter drill four 3/4in drainage holes in the marked locations.

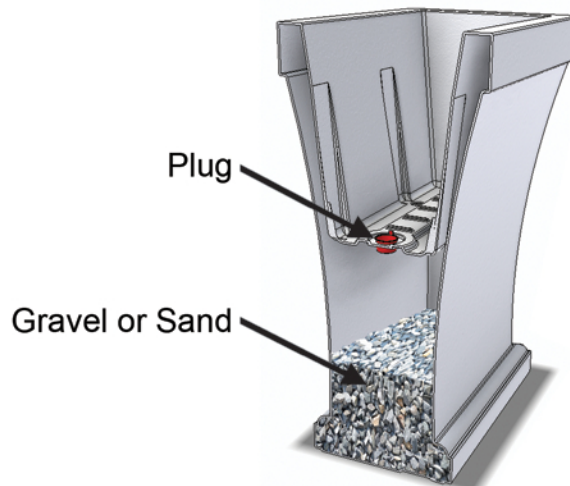


On the bottom footing of the planter drill four 3/4in drainage holes in marked locations



INSTALLATION TIP:

Remove the plug in the bottom of the planting basin and use a funnel to fill the inner cavity with gravel or sand. This will add more stability for use in high traffic and high wind areas.



NOTE: The information above is only suggested and MAYNE holds no liability for the condition or growth of your plants.

Bordeaux

Model # 8890

Bordeaux Trough Planter



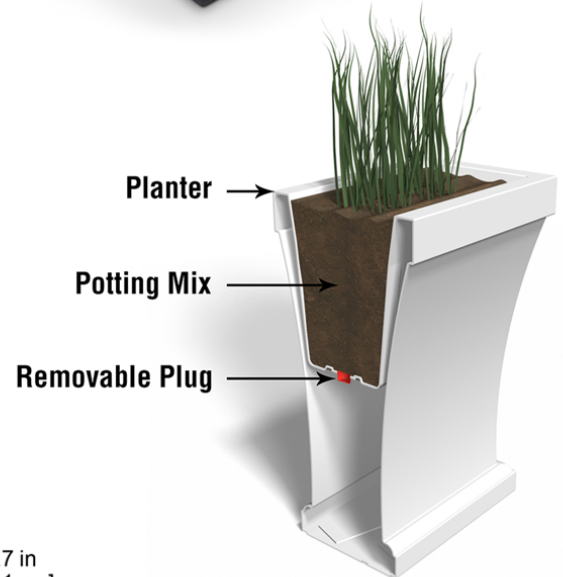
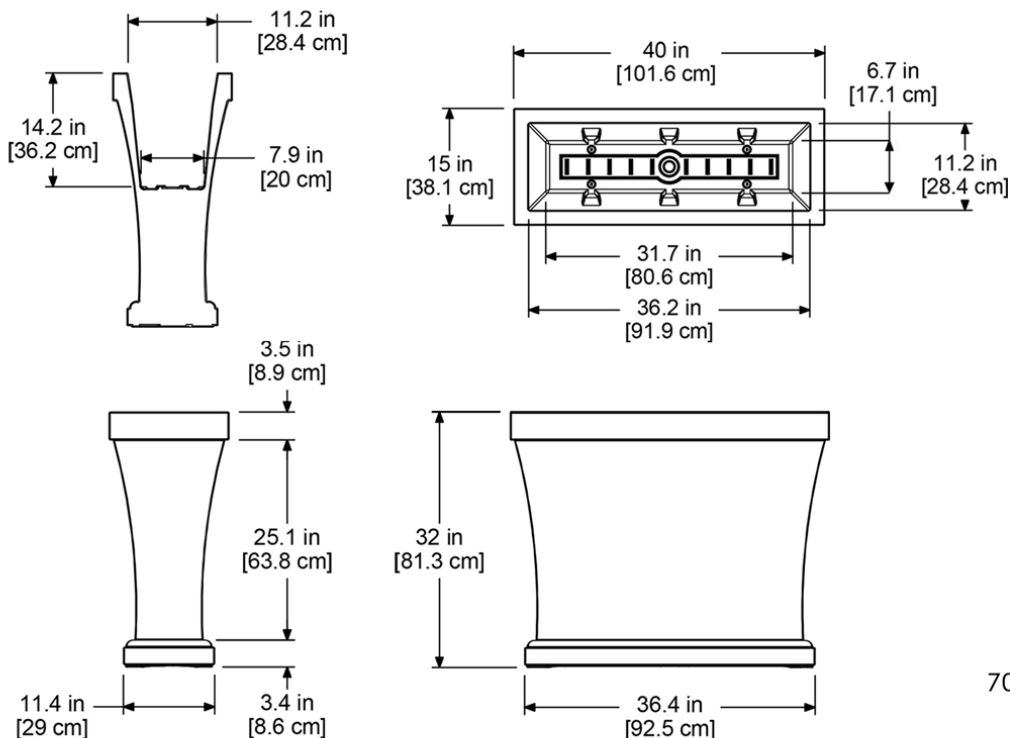
DESCRIPTION

The Bordeaux Trough Planter offers up the right balance of style and durability that you should expect from a high quality polyethylene product. The trough design has a narrow footprint making it the ideal choice for privacy dividers or barriers for outdoor living spaces and patios.

- Double wall design for increased rigidity
- Textured finish for increased durability
- Weather resistant, low maintenance material
- 100% high-grade polyethylene planter with UV inhibitors
- Warranty: 15-Yr Residential Use / 5-Yr Commercial Use

PRODUCT DIMENSIONS

Outside Dimensions: 40in L x 15in W x 32in H (101.6cm x 38.1cm x 81.3cm)
Inside Dimensions: 36.2in L x 11.2in W x 14.2in D (91.9cm x 28.4cm x 36.2cm)
Soil Capacity: 17.5 Gallons (66 Liters)
Wall Thickness: 0.2in (5mm)
Part Weight: 35lbs (15.8kg)
Material: Polyethylene



MAYNE[®]
CONTRACT

7024 Kilbourne Rd - Unit A London, ON N6P 1K6
Tel: 866-363-8834 | www.maynecontract.com
customerservice@gomayne.com