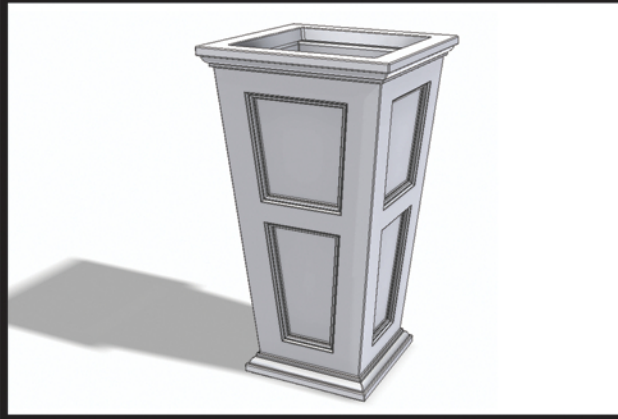


Fairfield Tall 40in Planter Model 8801

MIS049-4



PACKAGE CONTENTS: 1x Fairfield Tall Planter

MATERIAL: Polyethylene

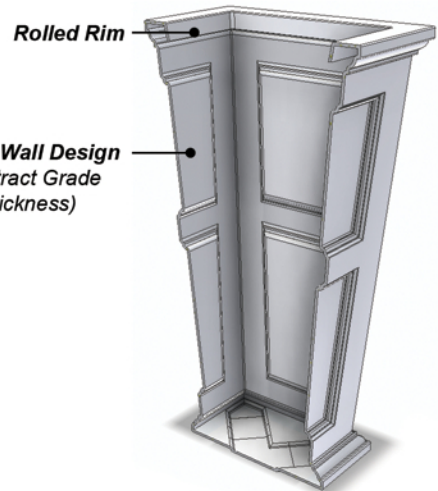
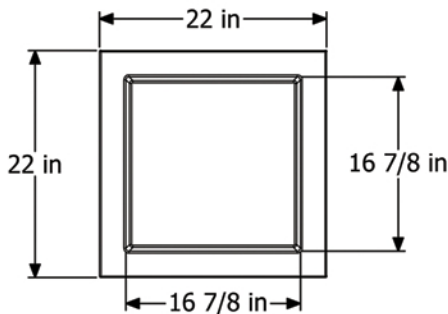
IMPORTANT NOTE:

- Drainage holes are not pre-drilled allowing the planters to be used indoors. For outdoor use drainage holes need to be drilled. See instructions on the reverse side for more details.
- Mayne planters are very durable but we still recommend lightweight fillers and potting mixes for optimal plant growth.

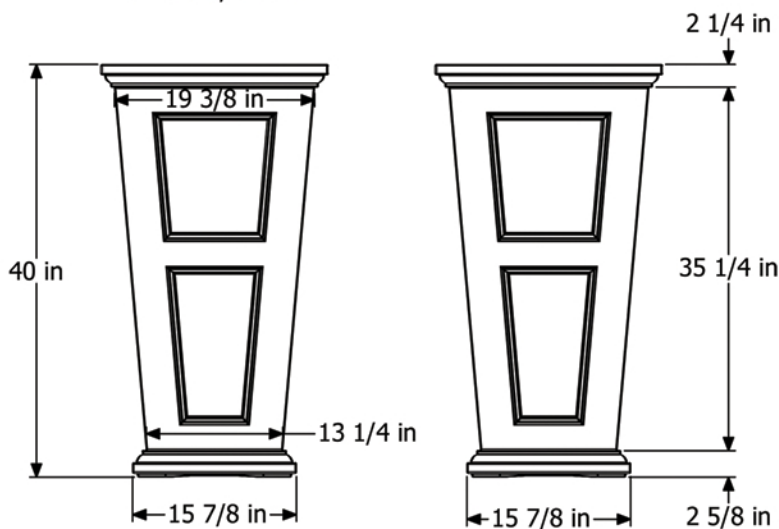
In the event of missing or defective parts, please email customerservice@gomayne.com or call our customer service department toll free at **866-363-8834** (available Monday through Friday, 8am-5pm EST).

General Information:

- Read instructions carefully before planting
- To clean the product: For best results use a soap solution and high-pressure water.
- On the reverse side of this instruction sheet there are a few potting recommendations, but please consult your local garden centre or landscape horticulturist for more detailed information.
- All weather planters molded with high quality polyethylene and designed for year-round use
- 5-year commercial warranty



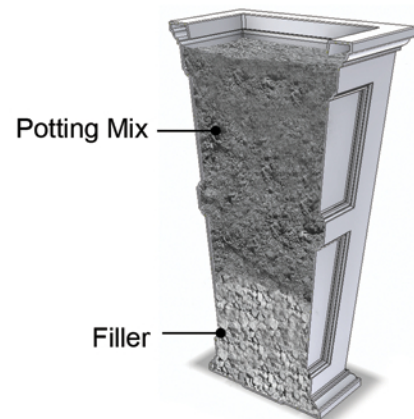
Soil Capacity: 40 gallons



MAYNE[®]
Outdoor Products of Distinction
gomayne.com | maynecontract.com

Potting Recommendations:

Due to the size of this planter we strongly recommend the use of a good quality potting mix that encourages proper drainage. For smaller plants or shrubs you can minimize the amount of potting mix required by filling the bottom with 10 to 12 inches of lightweight filler. Some suggestions for lightweight fillers include lava rock, mulch, wood chips, or foam packing peanuts (don't use foam packing peanuts if you are growing edible plants).

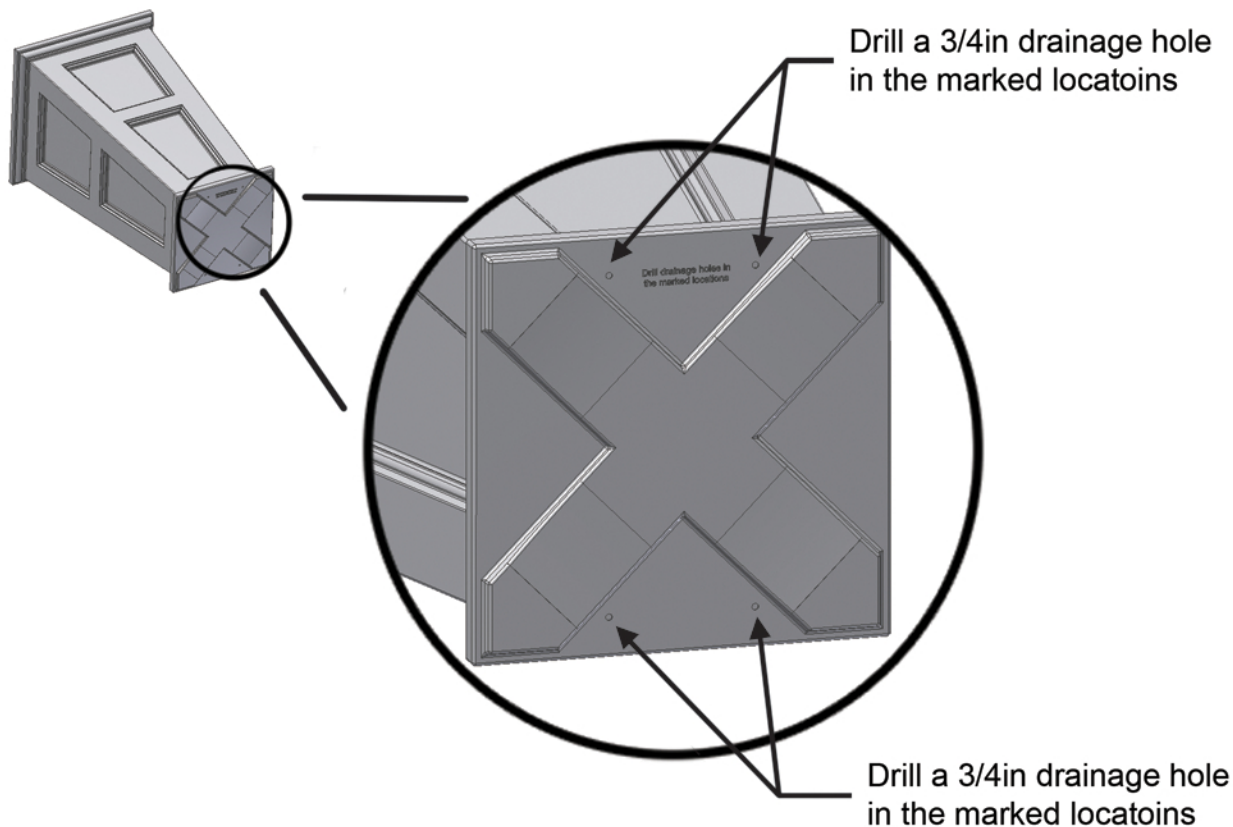


Indoor Use:

To allow for indoor use, the Fairfield Tall planters do not come with any pre-drilled drainage holes.

Outdoor Use:

For outdoor use, drainage holes need to be drilled to provide proper overflow of excess water. Failing to drill drainage holes may cause oversaturation of the planted goods and in some cases may cause bowing or bulging of the planter walls.



Fairfield

Model # 8801

Fairfield 40in Tall Planter



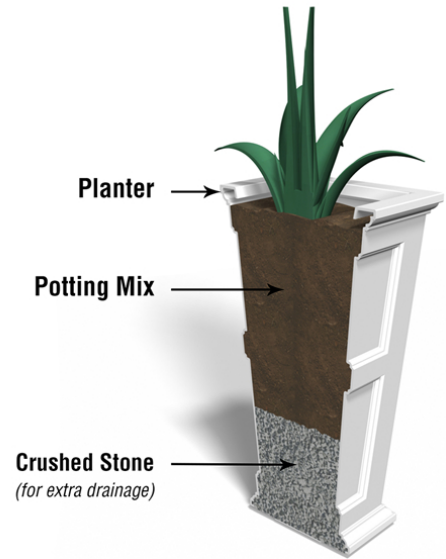
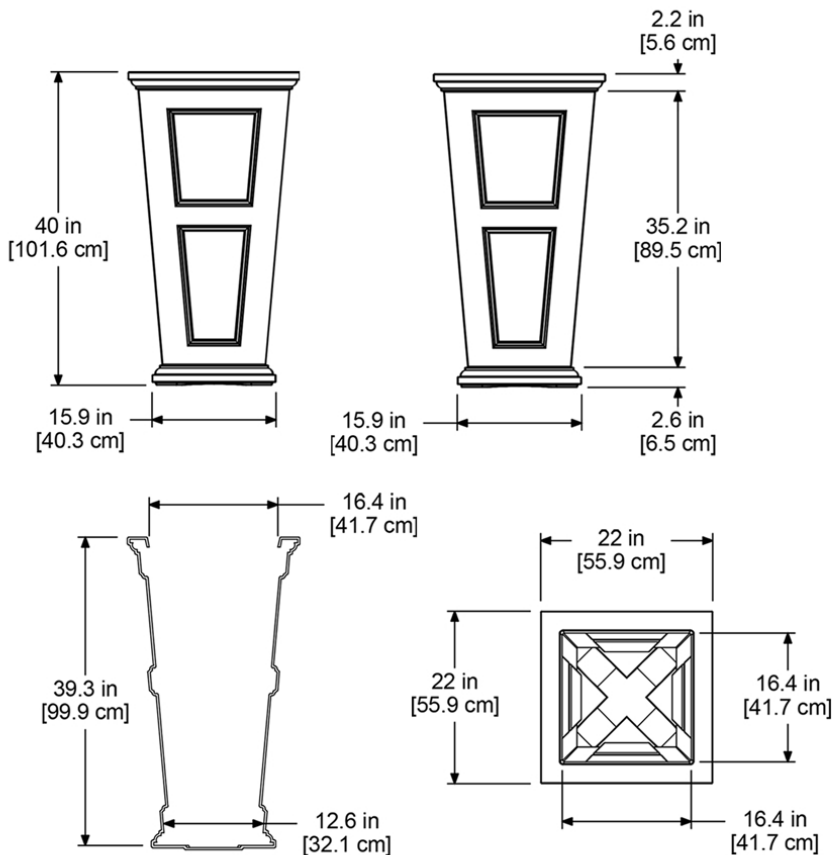
DESCRIPTION

Enjoy the classic charm of The Fairfield Tall Patio Planter. Have the look of wood without the upkeep with our high-grade polyethylene planters. Long-lasting beauty, durability and quality. This planter is a perfect architectural accent to any indoor or outdoor space. Make a statement!

- Commercial grade thickness for added strength
- Textured finish for increased durability
- Weather resistant, low maintenance material
- Single wall design with rolled rim for a clean, finished appearance
- 100% high-grade polyethylene planter with UV inhibitors
- Warranty: 15-Yr Residential Use / 5-Yr Commercial Use

PRODUCT DIMENSIONS

Outside Dimensions: 22in L x 22in W x 40in H (55.9cm x 55.9cm x 101.6cm)
Inside Dimensions: 16.4in L x 16.4in W x 39.3in D (41.7cm x 41.7cm x 99.9cm)
Soil Capacity: 40 Gallons (151 Liters)
Wall Thickness: 0.28in (7mm)
Part Weight: 35lbs (15.9kg)
Material: Polyethylene



MAYNE[®]
CONTRACT

7024 Kilbourne Rd - Unit A London, ON N6P 1K6
Tel: 866-363-8834 | www.maynecontract.com
customerservice@gomayne.com