

# Savannah Planter Instructions (part # 5859)

# MIS043 r2



**PACKAGE CONTENTS:** 1x Planter  
**COLORS:** Black, Clay, or White  
**DIMENSIONS:** 16in W x 16in D x 16in H  
**MATERIAL:** Polyethylene  
**SOIL CAPACITY:** 5 Gallons

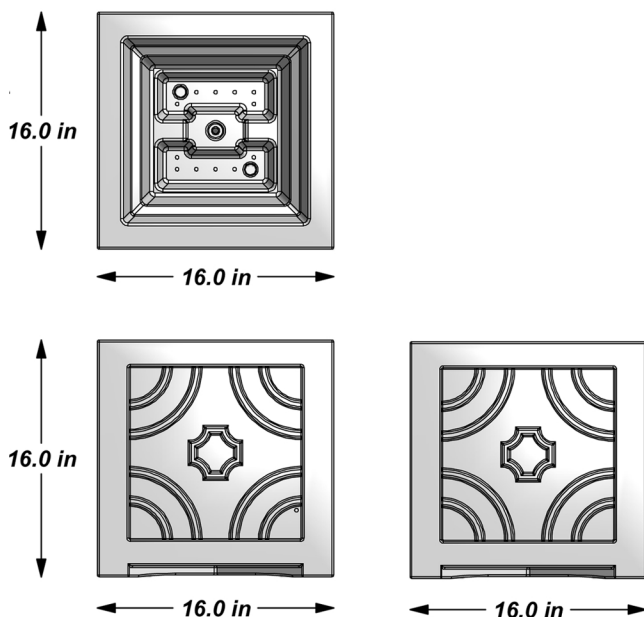
### IMPORTANT NOTE:

- Do not overload the patio planters. Lightweight fillers and potting mixes are recommended and yield better plant growth.
- Suitable for flowers, herbs, vegetables, and small plants.

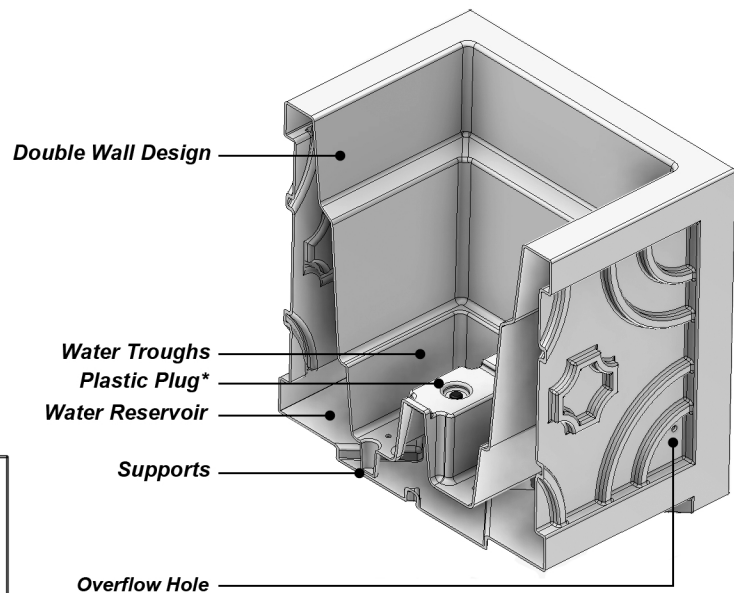
In the event of missing or defective parts, please email [info@gomayne.com](mailto:info@gomayne.com) or call our customer service department toll free at 866-363-8834 (available Monday through Friday, 8am-5pm EST).

### General Information:

- Read instructions carefully before beginning assembly.
- To clean the product, for best results use a soap solution and high-pressure water.
- On the reverse side of this instruction sheet there are a few potting recommendations, but please consult your local garden center for more detailed information.
- The molded polyethylene construction is designed to withstand cold temperatures but you may wish to winter store the planter in a shed or garage to offer the best protection from extreme cold.



**Savannah Planter Dimensions**



\* The plastic plug is placed in the bottom of the planter to seal a vent hole from the manufacturing process. There is no need to remove this plug.

### IMPORTANT NOTE:

Do not overload the patio planters. Lightweight fillers and potting mixes are recommended. Results may vary depending on the type of plant and depth of the root system. The enclosed information is only suggested and Mayne holds no liability for the condition or growth of your plants.

**MAYNE**  
Outdoor Products of Distinction  
[www.gomayne.com](http://www.gomayne.com)

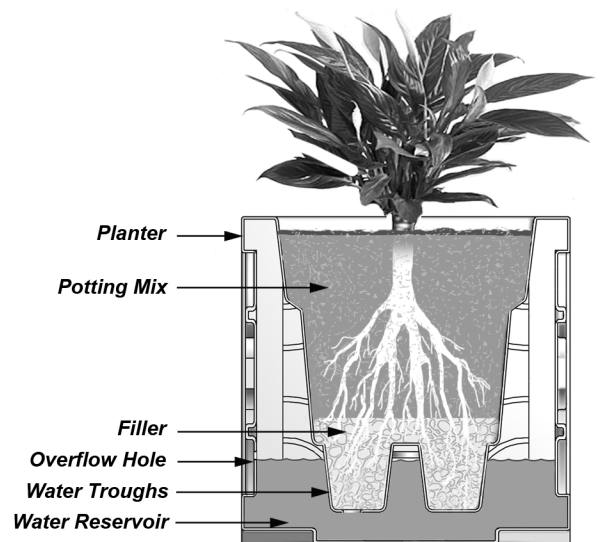
## General Planting Recommendations:

To maximize the efficiency of the sub-irrigation system we recommend the following steps:

- 1) Pour water directly into the planter to fill the reservoir. Allow the excess water to pour out the overflow hole on the side of the planter.
- 2) Next, add a few inches of lightweight filler to the bottom of the planter. This is optional but adding the lightweight filler will offer 3 benefits: it reduces the amount of potting mix required, it encourages faster root growth down into the troughs, and it will help decrease the overall weight of the planter making it easier to move around. Some suggestions for lightweight fillers include lava rock, mulch, wood chips, or foam packing peanuts (don't use foam packing peanuts if you are growing edible plants).
- 3) Fill the planter with a potting mix to within a few inches of the top. Regular garden soil is not recommended since it compacts too easy and doesn't allow for proper aeration or drainage.
- 4) Start planting and enjoy!

## Sub-Irrigation System

The Savannah patio planters are molded with a double wall design that creates a trough system and sub-irrigation water reservoir at the bottom of the planter. As noted in the steps above, the water reservoir can be filled prior to planting. Alternatively, the planter can be filled with potting mix first and then with regular watering the reservoir will naturally fill up. Once the reservoir is full, capillary action allows water to soak upward keeping the soil and plant roots moist. To avoid oversaturation an overflow hole is drilled in the side of the planter allowing excess water to drain out. Regular watering is required for the first few weeks giving the root system time to develop. Once the roots have grown down into the troughs the plants will be able to pull moisture from the reservoir creating a self watering effect. With this system you will find the potting mix stays moist longer than traditional container planters. Please note that even with the reservoir and self watering effect, occasional watering is still needed.

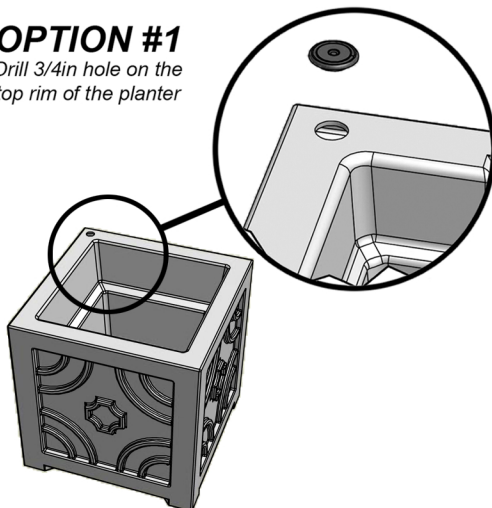


## Plug Installation:

Mayne planters are molded with a double wall design that creates an internal water reservoir. To provide direct access to the reservoir we recommend drilling a 3/4 inch hole on the top or back side of the planter. To cover the hole we have included a rubber plug that can be easily removed to fill or drain the planter as needed.

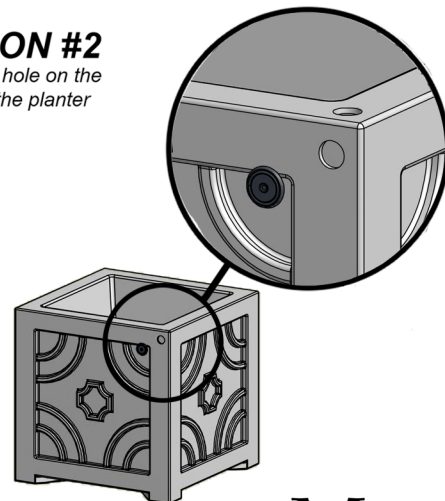
### OPTION #1

Drill 3/4in hole on the top rim of the planter



### OPTION #2

Drill 3/4in hole on the back of the planter



**Note:** The rubber plug is provided as an added feature so drilling the drainage hole is completely optional. Not intended for use on the bottom of the planter as the plug may not create a water tight seal.

# Savannah

Model # 5859

## Savannah 16in Patio Planter



### DESCRIPTION

The Savannah planter features a gothic motif with a modern flare. The 16 inch square size takes up minimal space making it a perfect addition to the front porch. The sub-irrigation water system encourages root growth and creates a self-watering effect so you can water less, saving time & money.

- Molded polyethylene planter with UV inhibitors
- Weather resistant, low maintenance material
- Features a double wall design creating a water reservoir
- Warranty: 15-Yr Residential Use / 5-Yr Commercial Use

### PRODUCT DIMENSIONS

**Outside Dimensions:** 16in L x 16in W x 16in H (40.6cm x 40.6cm x 40.6cm)

**Inside Dimensions:** 12.5in L x 12.5in W x 11in D (31.6cm x 31.6cm x 27.9cm)

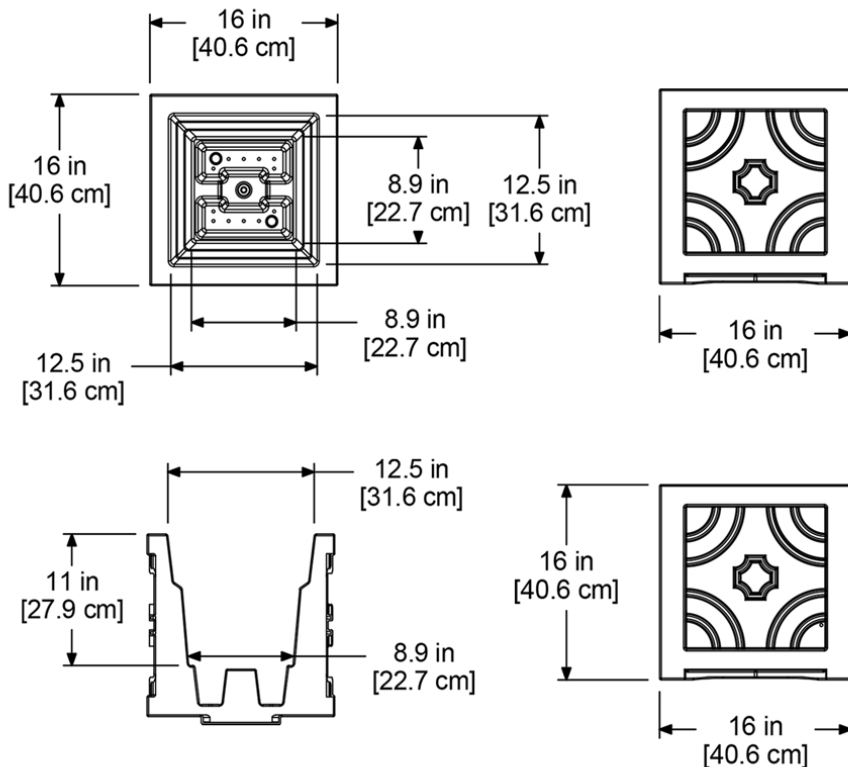
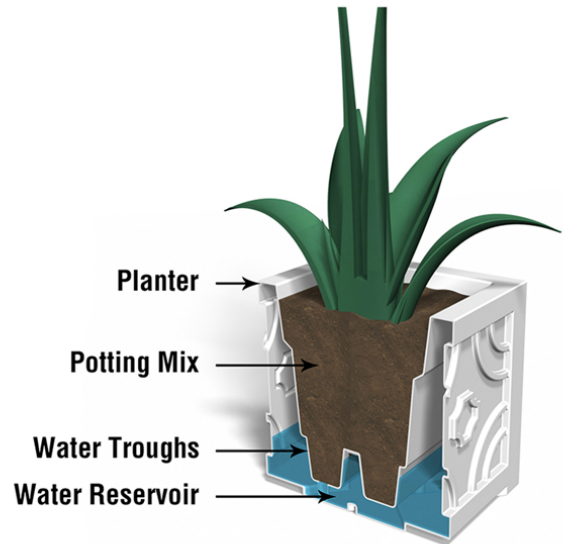
**Soil Capacity:** 5 Gallons (18.9 Liters)

**Water Reservoir Capacity:** 3.7 Gallons (14 Liters)

**Wall Thickness:** 0.12in (3mm)

**Part Weight:** 8.5lbs (3.9kg)

**Material:** Polyethylene



**MAYNE**<sup>®</sup>  
Outdoor Products of Distinction

7024 Kilbourne Rd - Unit A London, ON N6P 1K6  
Tel: 866-363-8834 | [www.gomayne.com](http://www.gomayne.com)  
[customerservice@gomayne.com](mailto:customerservice@gomayne.com)