

Valencia Planter Instructions

MIS072-2



PACKAGE CONTENTS: 1x Planter

Models: 5873, 5874, 5875

MATERIAL: Polyethylene

IMPORTANT NOTE:

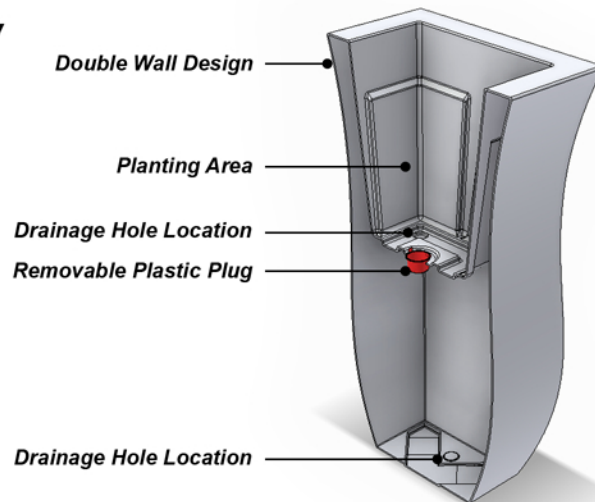
- Do not overload the planters. Lightweight fillers and potting mixes are recommended and yield better plant growth.
- Designed for indoor or outdoor use.
- Suitable for flowers, herbs, vegetables, and small plants.

In the event of missing or defective parts, please email customerservice@gomayne.com or call our customer service department toll free at 866-363-8834 (available Monday through Friday, 8am-5pm EST).

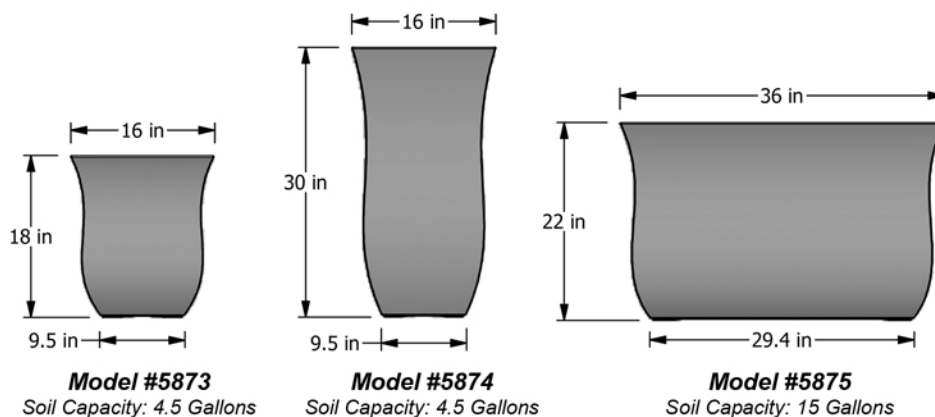
General Information:

- The molded polyethylene construction is designed to withstand cold temperatures but you may wish to winter store the planter in a shed or garage to offer the best protection from extreme cold.
- Cleaning Tip: For best results use a soap solution and high-pressure water.
- See reverse side of this instruction sheet for potting recommendations

Section View



Product Dimensions



MAYNE
Outdoor Products of Distinction
www.gomayne.com

Potting Recommendations:

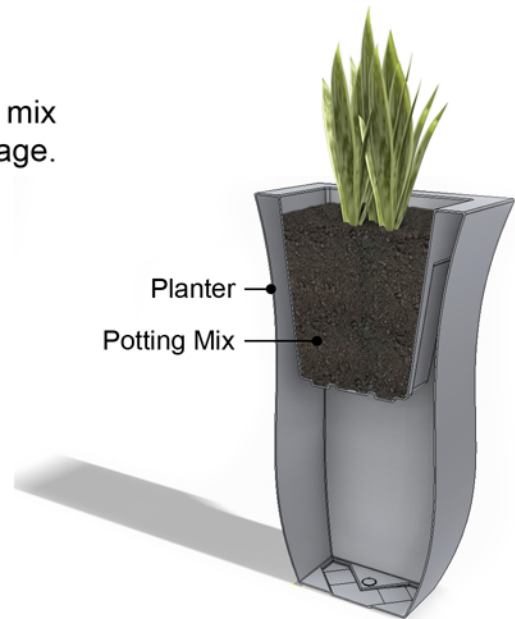
We strongly recommend the use of a good quality potting mix to encourage healthy root development and proper drainage.

Indoor Use:

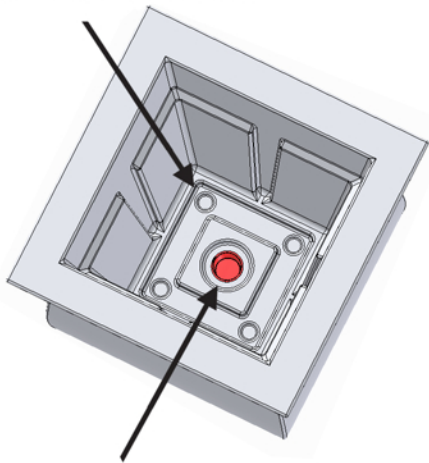
The Valencia planters do not come with any pre-drilled drainage holes to allow for indoor use.

Outdoor Use:

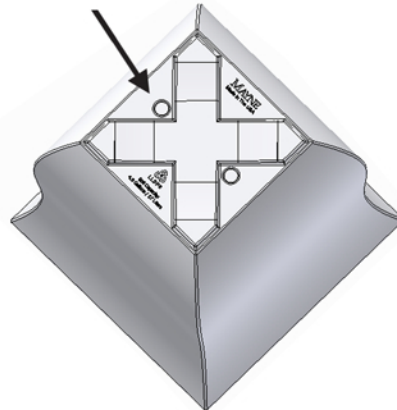
For outdoor use, drainage holes need to be drilled in the bottom of the planting area and the base of the planter to provide proper overflow of excess water (see diagrams below). Failing to drill drainage holes may cause oversaturation of the planted goods and in some cases may cause bowing or bulging of the planter walls.



On the inside of the planter drill three 3/4in drainage holes in the marked locations.



On the bottom footing of the planter drill two 3/4in drainage holes in marked locations



TIP: For added stability, remove the red plug and fill inner cavity with pea gravel or crushed stone.

Valencia

Model # 5873

Valencia 16in Patio Planter



DESCRIPTION

The Valencia Collection offers a square tulip shaped planter which would be a perfect, modern addition to your front porch while taking up minimal space. This unique design will make a beautiful statement to your entrance ways, patios and terraces.

- 100% polyethylene planter with UV inhibitors
- Weather resistant, low maintenance material
- Double wall molded design
- Warranty: 15-Yr Residential Use / 5-Yr Commercial Use

PRODUCT DIMENSIONS

Outside Dimensions: 15.9in L x 15.9in W x 18in H (40.5cm x 40.5cm x 45.7cm)

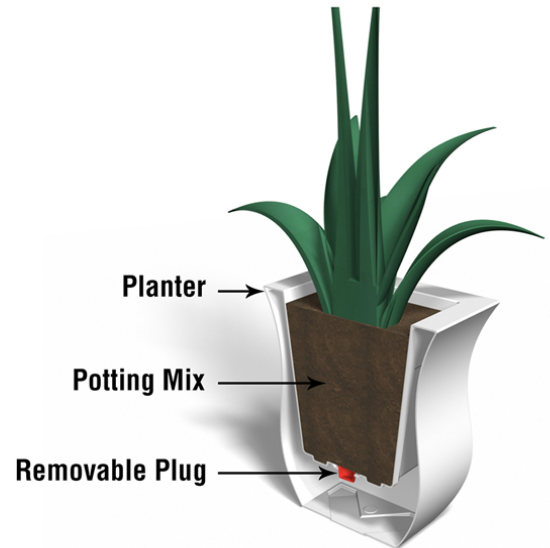
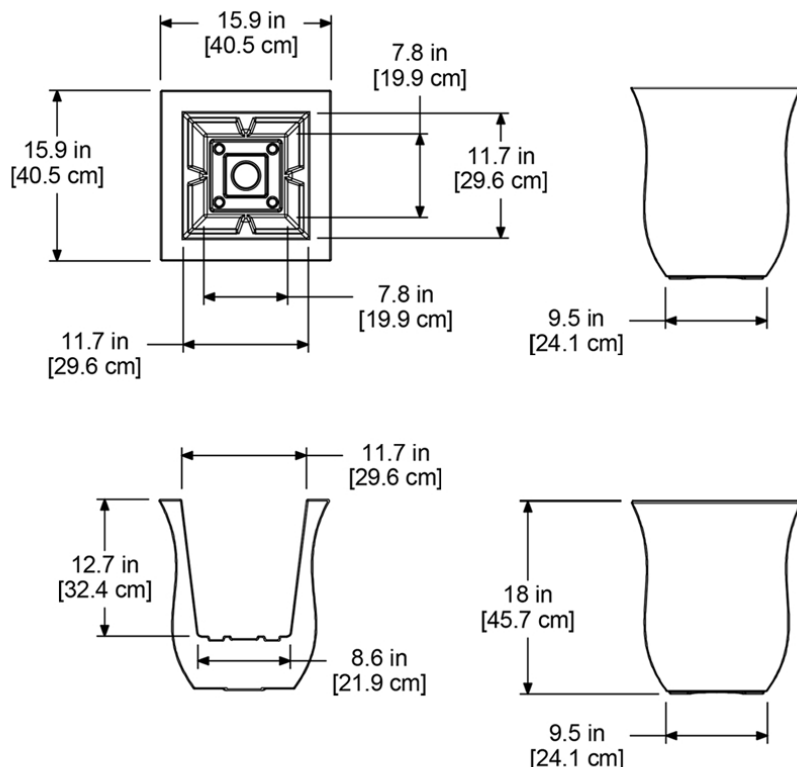
Inside Dimensions: 11.7in L x 11.7in W x 12.7in D (29.6cm x 29.6cm x 32.4cm)

Soil Capacity: 4.5 Gallons (17 Liters)

Wall Thickness: 0.12in (3mm)

Part Weight: 7.1lbs (3.2kg)

Material: Polyethylene



MAYNE[®]
Outdoor Products of Distinction

7024 Kilbourne Rd - Unit A London, ON N6P 1K6

Tel: 866-363-8834 | www.gomayne.com

customerservice@gomayne.com