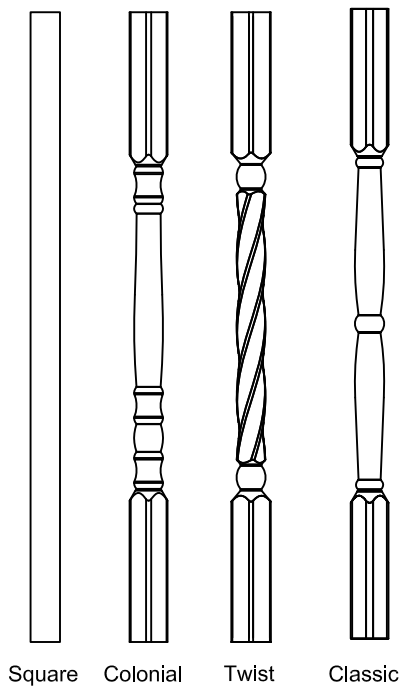
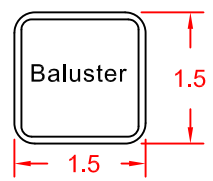
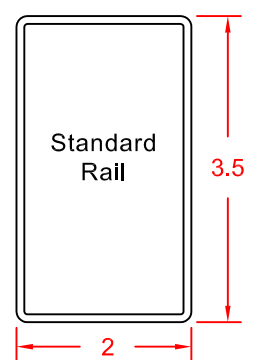
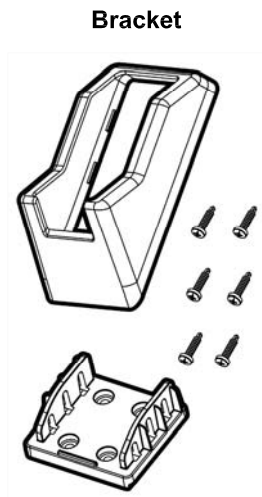
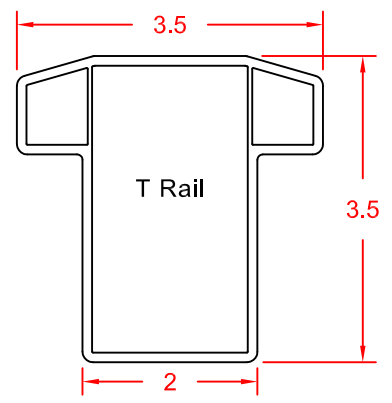
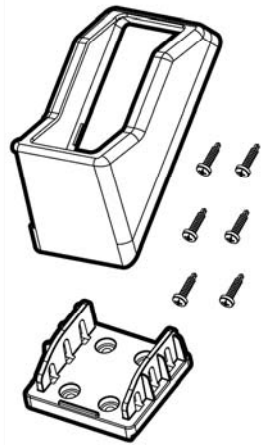
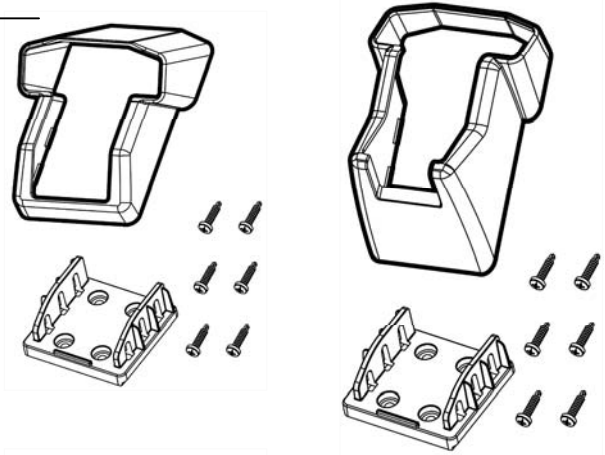
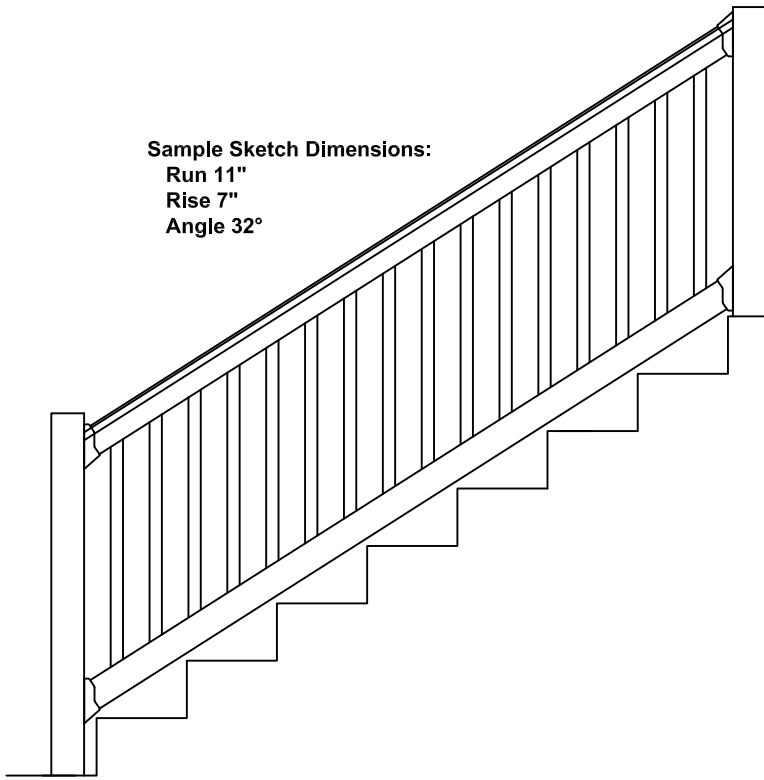


Sample Sketch Dimensions:
Run 11"
Rise 7"
Angle 32°



P Channel
Aluminum
Reinforcement
(Used in Top Rail)

Railing Kit Contents	
Available in Tan or White	
Qty	Item Description
1	Top Rail (T Rail)
1	Bottom Rail (2 x 3-1/2)
1	Alum P Channel
16	Balusters (4 styles)
4	Brackets (SS Screws Included)

Optional Items	
Post Caps	
Solar Post Cap	
Post Skirt - Base Trim	
Posts	
Colonial Newel Post	
Colonial Porch Post	
Post Mounts	
Glue - Vinyl Adhesive	
Gate Kits	
Gate Hardware	
Screws	
Post Wrap	